



## Whole Body Cryotherapy Chamber

### FULLY ELECTRIC



Introducing **Chillybox**, India's first AFFORDABLE “**PLUG n PLAY**” elegantly designed FULLY ELECTRIC Whole Body Cryotherapy Chamber.

Chillybox is the first fully Electric Whole-Body Cryotherapy Chamber designed & built for home, personalized and Small Business use.

- **Efficacious cold; down to -165°F (-110°C) Feels Like Temperature**
- **Always sanitary, no on-going maintenance**
- **All-in-one plug-&-play setup**
- **Easily create a schedule for seamless control**
- **24/7 remote monitoring when connected to WiFi**

**An elegantly designed Cryotherapy Chamber for home & small business daily use.**

**Experience the ultimate in recovery and rejuvenation with our cryotherapy sessions.**

#### **LOWER POWER CONSUMPTION**

Runs on minimal energy without sacrificing performance—smart design means a lighter footprint.

#### **EFFICACIOUS COLD**

Delivers clinically effective cold exposure with consistent, even temperature distribution every session.

#### **ALWAYS SANITARY**

Built with antimicrobial materials and an automated hygiene cycle, so it's spotless every time you step in.



## The Most Innovative Cryotherapy Solution

### Cold, Controlled, and Completely Yours

Designed for simplicity, built for performance. Chillybox delivers full-body cryotherapy using precision-calibrated cold technology—all from the comfort of your home. Just step in, set your session, and feel the results in minutes.



### No Temp. Gradient Inside Chamber

Our chamber is meticulously crafted to ensure a minimal temperature gradient throughout the space. This means that every square inch of your body is enveloped in the same extraordinarily low temperature.

### Create your schedule

Chillybox is ready when you are. Set your ideal time and make it part of your daily recovery ritual—no waiting, no hassle.

### Choose session length

Most users prefer 3 to 3.5 minutes for optimal benefits. New to cryo? Start short and build up. And yes, you can exit anytime.

### Set the Chill Factor

Customize your session intensity with airflow settings: *Low, Medium, or Strong*. It's your cold, your way.



## FULL BODY RECOVERY ON-DEMAND

*Advanced Cryo Tech. At-Home Convenience.*

### SUSTAINABILITY

Powered by an eco-friendly cooling system with no F-gases. Designed to minimize environmental impact without sacrificing performance – all while operating at the lowest energy consumption of any cryotherapy chamber on the market.

### INNOVATION

Driven by patent-pending cooling technology & proprietary hardware solutions, Chillybox is a technical breakthrough in cryotherapy. Custom tailored algorithms deliver unmatched reliability & performance

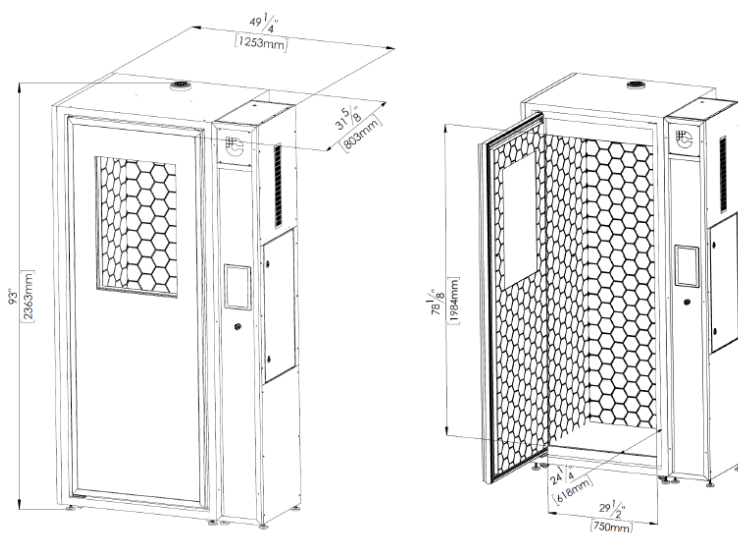
### SAFETY

Comprehensive hardware & software safeguards work in tandem to ensure a safe cryotherapy experience, even during solo sessions. 24/7 remote monitoring provides real-time data of operation statistics & allows for remote software updates, future proofing your investment.



## Low energy consumption

Chillybox has efficient cooling system which has been designed to reduce power consumption and high efficiency. Thanks to this, we were able to obtain a power consumption of maximum 2.3 kWh, which gives low operating cost of the device and a quick return on investment.



Overall external dimensions	
Height	237 cm (93 inch)
Depth (with closed doors)	80 cm (31 1/8 inch)
Depth (with opened doors)	158 cm (62 inch)
Width	125 cm (49 1/4 inch)

Overall internal dimensions	
Height	198 cm (78 1/8 inch)
Depth	62 cm (24 1/2 inch)
Width	75 cm (29 1/2 inch)

Weight	
Total weight	350 kg / 771 lb
Electrical	
Breaker size	20 A (USA) 10 A (EU)
Power supply	110V/1ph/60Hz (USA) 230V/1ph/50Hz (EU)
Operational characteristics	
Operating ambient temperature	10 to 26°C (50 to 80°F)
Operating chamber temperature	-80 to 32°C (-112 to 90°F)
Windchill temperature	Down to -100°C (-148°F)
Cooling down time	Up to 5h
Maximum time of a single session	4 min
Minimum time between sessions	Around 60 min
Maximum number of sessions per day	Up to 10





Available in INDIA with :



Welltec Devices LLP  
New Delhi – 110037, INDIA

Website

[www.WellTec.in](http://www.WellTec.in)

Email

[info@Welltec.in](mailto:info@Welltec.in)

Phone

+91 76 78 112588